

T3-PC1 / T3-PC1D

Table Boxes

US Patent US D553,306 S



FSR

Metal Products Group

T3-PC1 / T3-PC1D



T3-PC1D-SQ-BRS



T3-PC1-ALU



T3-PC1D-BLK



DESCRIPTION

The T3-PC1 series are perfect table boxes for single users, where convenient access to network drops, ac power sources and video/audio displays is required. The small footprint provides an un-obtrusive complement to any décor.

The T3-PC1 allows the user to connect their Laptop or PC to an external video display and house sound system as well as "link up" with network and phone lines. The T3-PC1D has an HDMI pass through in place of the RJ-11 jack.

The keystone areas can be populated with a variety of connectors including network, telephone, RCA or mini stereo audio, push buttons and much more to suit unlimited applications. Alternate style snap in keystone connectors and blanks are available separately for either model.

These stylish table boxes fit a 3½" round opening and are easily installed using a standard hole saw.

Round and square covers are available in black, brass or aluminum to blend with the decor.

The T3-PC1 includes:

- 1 AC Power outlet (pre-mounted)
- 1 HD15 Computer Video Female Connector
- 1 Stereo mini jack with 3-pin screw terminal plug
- 1 CAT5e pass through connector (pre-mounted)
- 1 RJ-11 pass through connector (pre-mounted)
- 1 CAT5e pass through connector
- 1 Keystone Blank
- 1 Pre-wired Power cord with plug

The T3-PC1D includes:

- 1 AC Power outlet (pre-mounted)
- 1 HD15 Computer Video Female Connector
- 1 Stereo mini jack with 3-pin screw terminal plug
- 1 CAT5e pass through connector (pre-mounted)
- 1 HDMI pass through connector (pre-mounted)
- 1 Pre-wired Power cord with plug

The T3-PC1 can be installed in tables ¾" to 2½" thick. They are shipped with 3" installation screws and the components listed above.

APPLICATIONS

- Desks
- Lecterns
- Lab Tables
- Boardroom Tables
- Control Consoles
- Classrooms

FEATURES

- Round or Square Covers (T3-PC1D models only)
- Can be matched to nearly any décor with Black, Aluminum or Custom Brass Top
- Easy and flexible installation
3½" Hole ¾" to 2½" table thickness
- Hardwire AC pigtail option on select models
- Pushbutton / LED option on select models
- Built to Last CNC Milled Solid Cover
Rugged 16 gauge-galvanized steel Chassis
Cable Strain Relief Attach Point
- No Annoyance Factor
Cover Opens 96 Degrees so it Stays Open
Rubber Grommets for quiet closure

ACCESSORIES

- CS-HD5BMF-2 is a 2-foot HD15 male to 5 BNC female. FSR PN 15897
- CS-HDMMMA-6 is a 6-foot combined cable having a HD15 male and male stereo mini plug on both ends. FSR PN 15890
- CS-HDMM-6 is a 6-foot cable having an HD15 male on both ends. FSR PN 15878

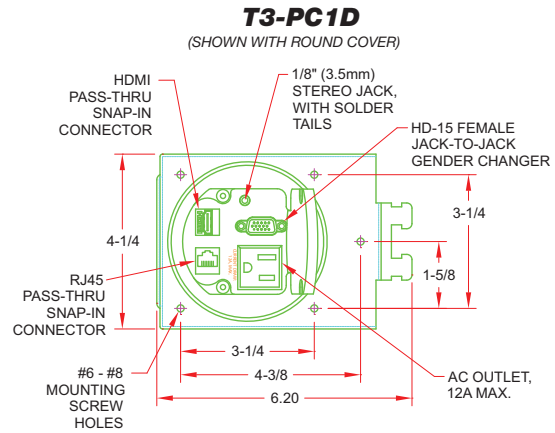
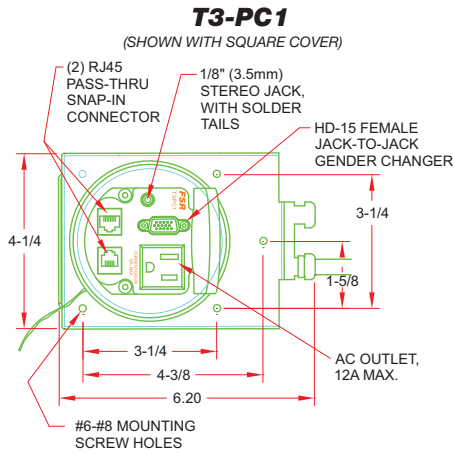
FSR Inc.

244 Bergen Boulevard, Woodland Park, NJ 07424

Phone: 973.785.4347 · Fax: 973.785.4207

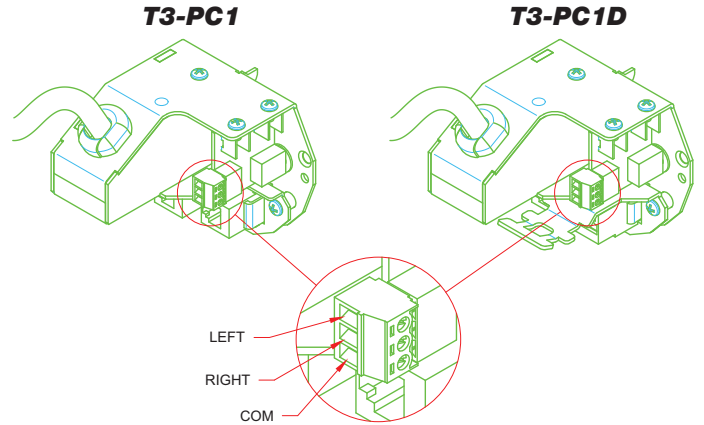
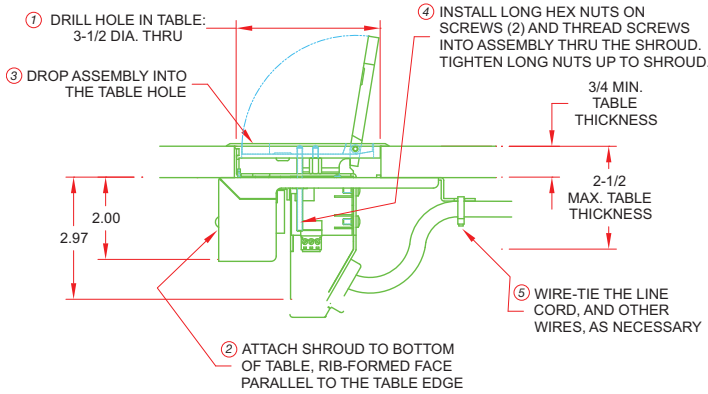
Web: www.fsrinc.com · E-mail: sales@fsrinc.com LIT1126E

DIMENSIONS



NOTE: FOLLOW ASSEMBLY STEPS IN ORDER. INSTALLATION DRAWING AND INSTRUCTIONS PERTAIN TO MODELS WITH ROUND OR SQUARE COVERS.

AUDIO OUTPUT PINOUT

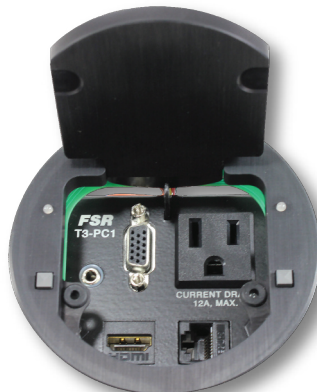


MODELS WITH PUSHBUTTONS & BI-COLOR LEDs

(See ordering table)



T3-PC1D-1B-BLK



T3-PC1D-2B-BLK



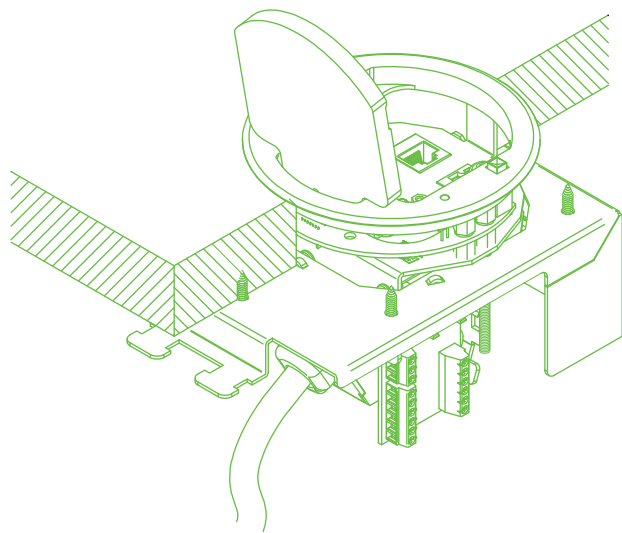
T3-PC1D-CP-1B-SQBLK



T3-PC1D-2B-SQALU

TYPICAL ASSEMBLY

1. INSTALL SHROUD TO UNDERSIDE OF TABLE HOLE WITH WOOD SCREWS AS SHOWN. ORIENT PER DESIRED COVER SWING DIRECTION.
2. MAKE ELECTRICAL CONNECTIONS AS REQUIRED AND ENSURE WIRES PASS THRU PROPER OPENINGS IN THE SHROUD. DROP THE T3 ASSEMBLY INTO THE HOLE (COVER ORIENTATION IS PRE-SET BY SHROUD INSTALLATION).
3. PASS THE DESIRED-LENGTH (2) LONG THREADED ROD THRU SHROUD AND THREAD INTO T3 ASSEMBLY. TURN THE LOCKING NYLON NUT UP SNUG AGAINST THE SHROUD BASEPLATE TO PULL THE T3 ASSEMBLY DOWN COMPLETELY INTO PLACE IN THE TABLE HOLE.
4. TIE WRAP CABLES TO THE TAB(S) PROVIDED ON SHROUD.



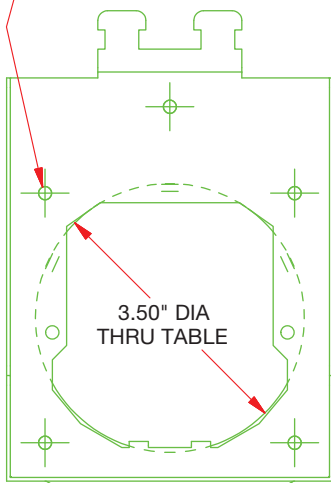
ASSEMBLED VIEW

MODEL ILLUSTRATED MAY DIFFER FROM MODEL PURCHASED

1.00" MIN TO 2-1/2" MAX TABLE THICKNESS (3/4" MIN FOR NO-BUTTON MODEL)

PRE-CUT 3.50" DIA HOLE IN TABLE

#6 / #8 MOUNTING HOLES TRANSFER HOLES FROM SHROUD TO TABLE



UNDERSIDE VIEW OF SHROUD

CABLE TIE TAB

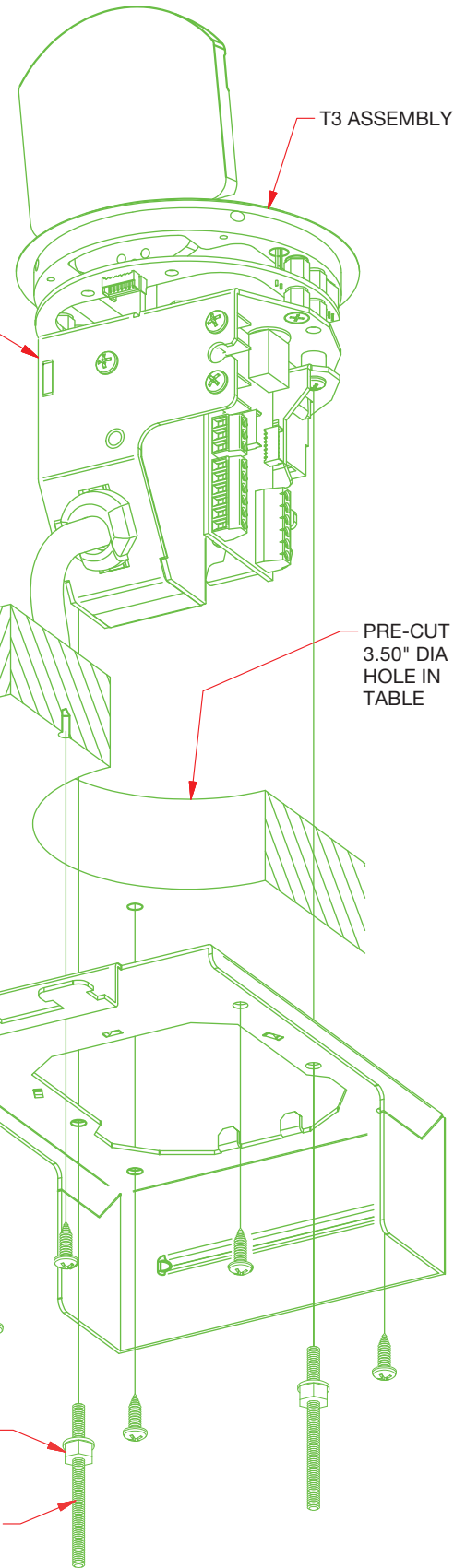
SHROUD

MODEL ILLUSTRATED MAY DIFFER FROM MODEL PURCHASED

#6 / #8 x 1/2" WOOD SCREW

(2) LOCKING NYLON NUT

(2) #6-32 x 2.00" or 3.00" LONG THREADED ROD



ORDERING INFORMATION

T3-PC1 3.5" Round Table Box with HD-15, Stereo Audio, 2 Keystone w/ AC - Plug		
16240	T3-PC1-ALU	Aluminum - Round cover
T3-PC1D 3.5" HDMI Round Table Box with HD-15, Stereo Audio, HDMI and Data w/AC - Plug		
17276	T3-PC1D-BLK	Round - Black
17277	T3-PC1D-SQBLK	Square - Black
17278	T3-PC1D-ALU	Round - Aluminum
17279	T3-PC1D-SQALU	Square - Aluminum
17280	T3-PC1D-BRS	Round - Brass
17281	T3-PC1D-SQBRS	Square - Brass
T3-PC1D 3.5" HDMI Round Table Box with HD-15, Stereo Audio, HDMI and Data w/AC - Plug		
17640	T3-PC1D-1B-ALU	Round - Aluminum, 1 momentary pushbutton / 1 bi-color LED
17643	T3-PC1D-1B-SQALU	Square - Aluminum, 1 momentary pushbutton / 1 bi-color LED
17641	T3-PC1D-1B-BLK	Round - Black, 1 momentary pushbutton / 1 bi-color LED
17644	T3-PC1D-1B-SQBLK	Square - Black, 1 momentary pushbutton / 1 bi-color LED
17642	T3-PC1D-1B-BRS	Round - Brass, 1 momentary pushbutton / 1 bi-color LED
17645	T3-PC1D-1B-SQBRS	Square - Brass, 1 momentary pushbutton / 1 bi-color LED
T3-PC1D 3.5" HDMI Round Table Box Two Pushbutton w/Square or Round Cover		
17646	T3-PC1D-2B-ALU	Round - Aluminum, 2 momentary pushbuttons / 2 bi-color LEDs
17649	T3-PC1D-2B-SQALU	Square - Aluminum, 2 momentary pushbuttons / 2 bi-color LEDs
17647	T3-PC1D-2B-BLK	Round - Black, 2 momentary pushbuttons / 2 bi-color LEDs
17650	T3-PC1D-2B-SQBLK	Square - Black, 2 momentary pushbuttons / 2 bi-color LEDs
17648	T3-PC1D-2B-BRS	Round - Brass, 2 momentary pushbuttons / 2 bi-color LEDs
17651	T3-PC1D-2B-SQBRS	Square - Brass, 2 momentary pushbuttons / 2 bi-color LEDs
Pull Out Style Cables - 9' AC Cord with 3 Prong Edison Plug		
17421	T3-PC1DCP-BLK	DIG-A/V-DATA 3.5" Cable Pull Round Table Box
17424	T3-PC1DCP-SQBLK	DIG-A/V-DATA 3.5" Cable Pull Square Table Box
17422	T3-PC1DCP-ALM	DIG-A/V-DATA 3.5" Cable Pull Round Table Box
17425	T3-PC1DCP-SQALM	DIG-A/V-DATA 3.5" Cable Pull Square Table Box
17423	T3-PC1DCP-BRS	DIG-A/V-DATA 3.5" Cable Pull Round Table Box
17426	T3-PC1DCP-SQBRS	DIG-A/V-DATA 3.5" Cable Pull Square Table Box
Pull Out Style Cables - Pigtails for Hardwired AC Input		
17427	T3-PC1DHWCP-BLK	DIG-A/V-Data 3.5" Cable Pull Round Table Box
17430	T3-PC1DHWCP-SQBLK	DIG-A/V-Data 3.5" Cable Pull Square Table Box
17428	T3-PC1DHWCP-ALM	DIG-A/V-Data 3.5" Cable Pull Round Table Box
17431	T3-PC1DHWCP-SQALM	DIG-A/V-Data 3.5" Cable Pull Square Table Box
17429	T3-PC1DHWCP-BRS	DIG-A/V-Data 3.5" Cable Pull Round Table Box
17432	T3-PC1DHWCP-SQBRS	DIG-A/V-Data 3.5" Cable Pull Square Table Box

Specifications
are subject
to change
without notice.



FSR

244 Bergen Boulevard, Woodland Park, NJ 07424
Phone: 973.785.4347 · Fax: 973.785.4207
Web: www.fsrinc.com · E-mail: sales@fsrinc.com